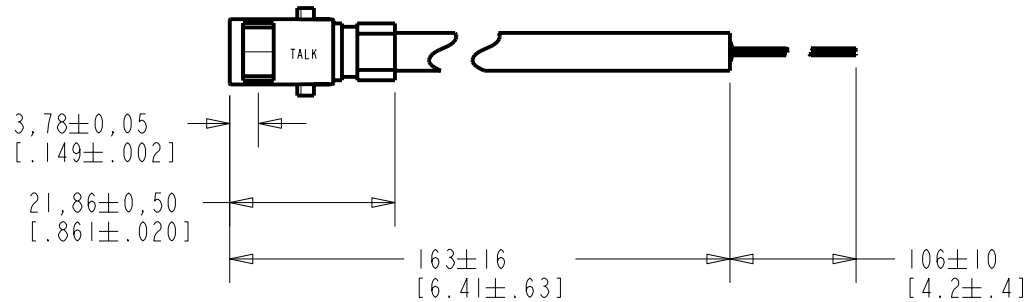
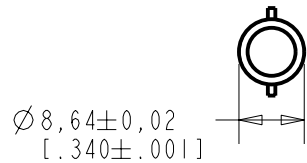
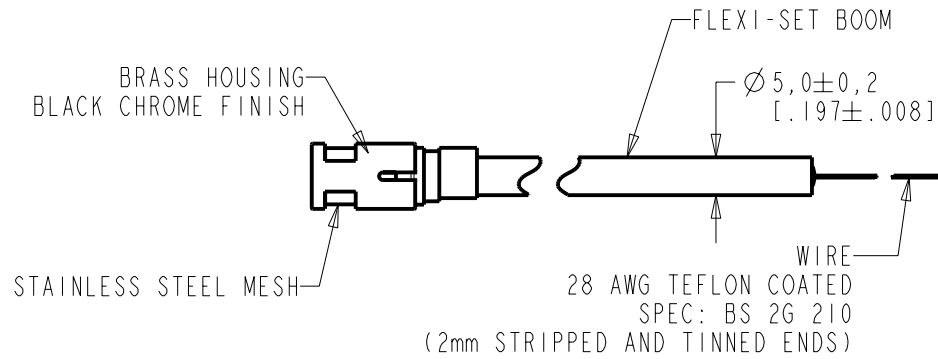


**FB-25624-000**  
SHT 1.1

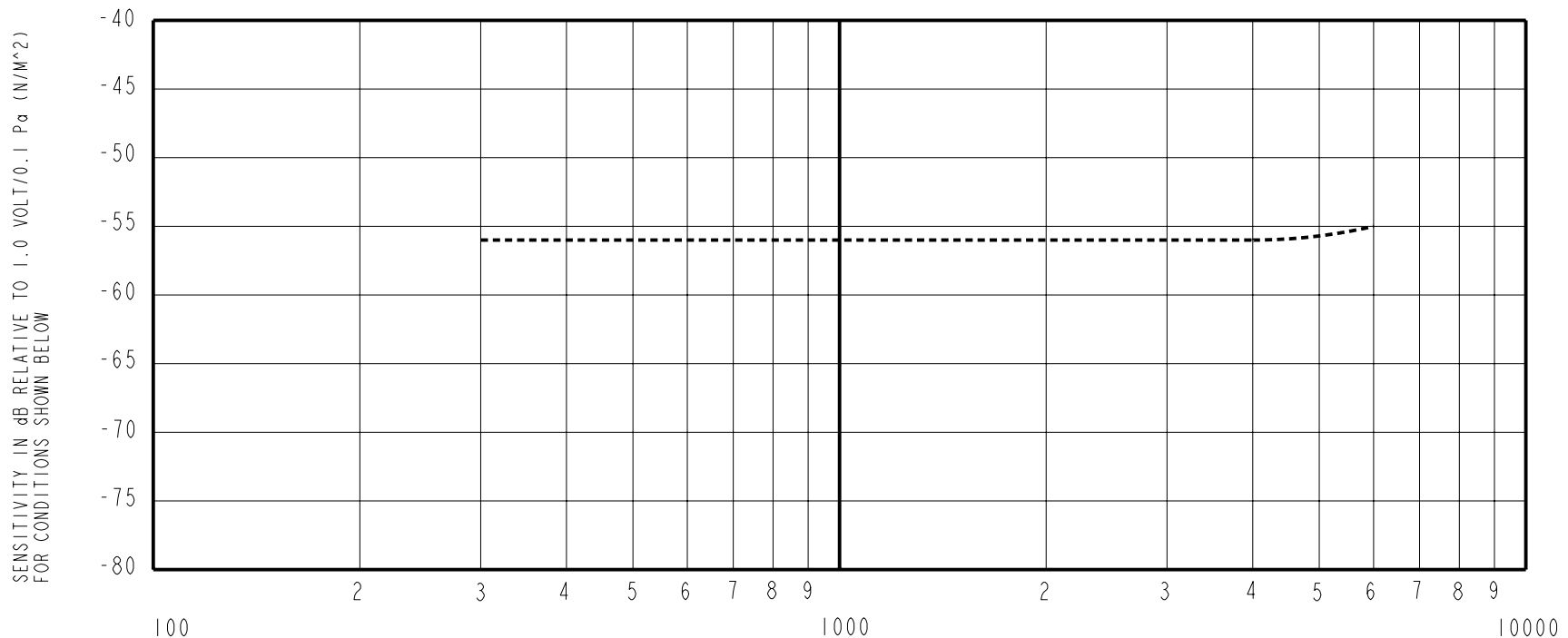


WIRE COLOR			WEIGHT GRAMS
+ve	-ve	OUTPUT	
RED	BLACK	WHITE	29

DIMENSIONS IN MILLIMETERS [INCHES]

**KNOWLES ELECTRONICS**  
ITASCA, ILLINOIS U.S.A.

Revision	C.O. #	Implementation Date	RELEASE LEVEL	REVISION
			<b>Released</b>	<b>A</b>
A	MI0101085	6-4-06		
SCALE: 1:1			DR. BY	DATE
DO NOT SCALE DRAWING			MMM	6-1-06
TITLE: <b>BOOM MICROPHONE</b>			CK. BY	DATE
OUTLINE DRAWING			GJP	6-6-06
FB-25624-000			APP. BY	DATE
SHT 1.1			GJP	6-6-06



NOTES:

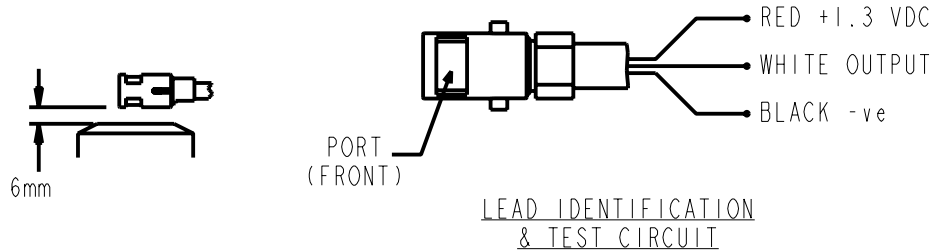
- MICROPHONE TO BE FUNCTIONAL WITH 10 VDC SUPPLY.
- SENSITIVITY VALUES INDICATED ON THIS SPECIFICATION ARE VALID AT 50% HUMIDITY.

SENSITIVITY

<u>FREQUENCY</u>	<u>MIN</u>	<u>NOM</u>	<u>MAX</u>
300	-60.0	-56.0	-52.0
1000	-95.0	-56.0	-53.0
4000	-60.0	-56.0	-52.0

- TEST CONDITIONS:  
HEAD OF BOOM EXPOSED TO 94 dB SPL SWEPT SOUND FIELD AT 6mm FROM VOICE APERTURE.  
ARTIFICIAL VOICE:  
B & K 4227 MOUTH SIMULATOR.
- FOR MICROPHONE CAPSULE SPEC. SEE WP-23501-000 SHEET 2.1

FREQUENCY IN HERTZ



Revision	C.O. #	Implementation Date	RELEASE LEVEL	REVISION
A	MI0101085	6-4-06	Released	A

**KNOWLES ELECTRONICS**  
ITASCA, ILLINOIS U.S.A.

SCALE:	1:1	DR. BY	DATE
DO NOT SCALE DRAWING		MMM	6-1-06
TITLE:	BOOM MICROPHONE	GJP	6-6-06
PERFORMANCE SPECIFICATION	FB-25624-000	APP. BY	DATE
	SHT 2.1	GJP	6-6-06